

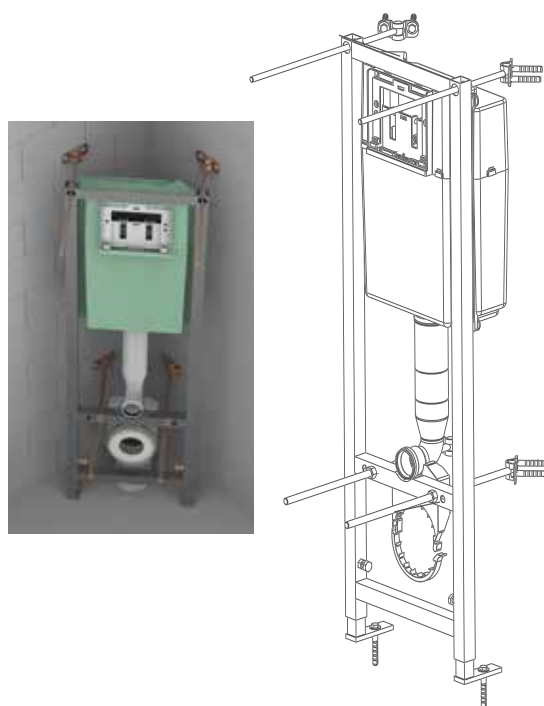
# > WALL HUNG ACCESSORIES

## > CORNER FIXING BRACKETS

The optional set for installing BCM 790, 800 & 350 wall frames into corners allows 2 possibilities:

- > typical 90° corner installation
- > alongside wall installation up to a 30° angle from the wall itself

	Ref.	Barcode	Packing	Packing			Pallet quantity
				Nb	M <sup>3</sup>	Kg	
Corner fixing top brackets	34 1064 07	3 24723 009410 3	Bag	1	-	-	-
Corner fixing WC brackets	34 1065 07	3 24723 009411 0	Bag	1	-	-	-



## > BENT DRAINAGE SET

- > 90° bent pipe for connecting the frame to the building's drainage system: diameter 100 mm, made from PVC, to be glued, EPDM pan seal. Fixing the bent pipe on the frame by simply clipping it with the bracket attached to the frame
- > Short straight connector for connecting WC to bent pipe: diameter 100 mm, made from PVC, EPDM pan seal

	Ref.	Barcode	Packing	Packing			Pallet quantity
				Nb	M <sup>3</sup>	Kg	
Bent drainage set	92 4000 07	3 24723 001277 0	Bag	1	-	-	-



## > STRAIGHT DRAINAGE SET

- > Long straight connector for connecting the frame to the building's drainage system: diameter 100mm, made from PVC, to be glued, EPDM pan seal. Fixing the pipe on the frame by simply clipping it with the bracket attached to the frame
- > Short straight connector for connecting WC to the the long pipe: diameter 100mm, made from PVC, EPDM pan seal

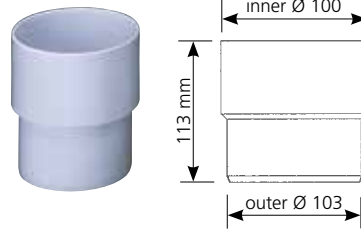
	Ref.	Barcode	Packing	Packing			Pallet quantity
				Nb	M <sup>3</sup>	Kg	
Straight drainage set	92 4010 07	3 24723 001278 7	Bag	1	-	-	-



## > WALL HUNG ACCESSORIES

### > 100-110MM ADAPTER R110

- > Connector in between  $\varnothing$  110 mm female and  $\varnothing$  100 mm male pipe
- > Made from PVC
- > To be glued



	Ref.	Barcode	Packing	Packing			Pallet quantity
				Nb	M <sup>3</sup>	Kg	
100-110mm adapter R110	92 3060 52	3 24723 009431 8	Bulk	45	-	-	-

### > LONG SUPPLY SLEEVE STRAIGHT CONNECTOR

- > For use where there is an oversized recess or void between the frame and the outer wall
- > Supply straight connector, length 450 mm



	Ref.	Barcode	Packing	Packing			Pallet quantity
				Nb	M <sup>3</sup>	Kg	
Long supply sleeve straight connector	92 0145 07	3 24723 001961 8	Bag	1	-	-	-

### > EXTENDED RODS

- > For use where there is an oversized recess or void between the frame and the outer wall
- > M12 male, M12 female
- > Extension length : 78 mm



	Ref.	Barcode	Packing	Packing			Pallet quantity
				Nb	M <sup>3</sup>	Kg	
Extended rods	34 1151 07	3 24723 001962 5	Bag	2	-	-	-

### > EXTENDED FLUSH PLATE FIXING SCREWS

- > For cladding ranging between 100 and 250 mm
- > Length: 250 mm



	Ref.	Barcode	Packing	Packing			Pallet quantity
				Nb	M <sup>3</sup>	Kg	
Extended flush plate fixing screws	34 1149 46	3 24723 009436 3	Bag	4	-	-	-