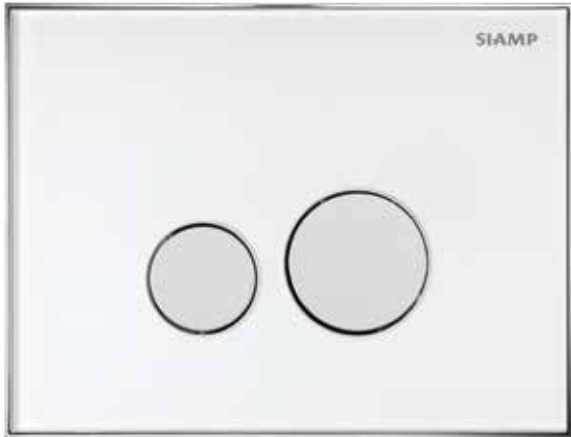


# > REFLET 360

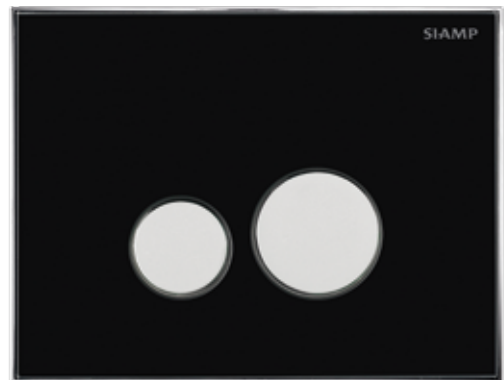
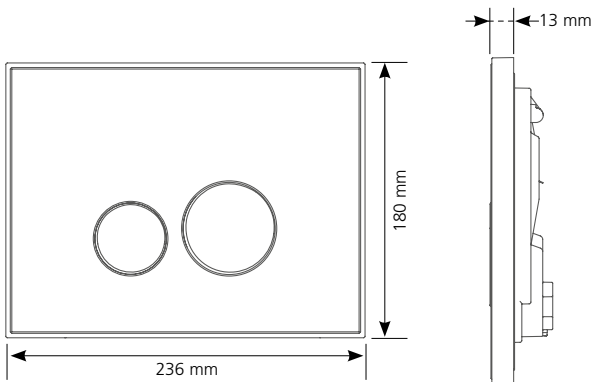
Can be installed on BCM 790, BCM - BCU 350 and Intraslim B



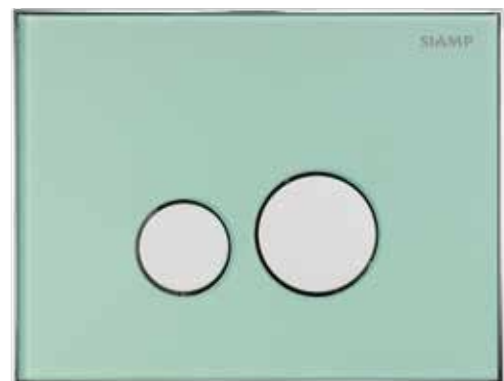
White glass & Matt chrome buttons

## DESCRIPTION

- Modern and round design
- Decorated glass plate with light and depth effects
- Toughened glass
- Decorated ABS buttons and frame
- Dual flush
- Mechanical actuation
- Actuation force below 20 Newton
- Smooth actuating screws to avoid operating noise
- Hand cuttable fixing and actuation screws for adapting length to cladding
- Flush plate serves as an access point for reaching the cistern equipment
- Cladding thickness between 20 and 100 mm



Black glass & Matt chrome buttons



Natural green glass & Matt chrome buttons

## TEXT FOR TENDERS:

**REFLET 360** .....

**Ref.: 31 19..... 10**

Dual flush actuation plate, made from toughened glass, ..... finish and matt chrome plated finish round design buttons. 2-year guarantee. Dimensions height 180 mm, width 236 mm and depth 13 mm.

Delivered with back fixing frame, 2 fixing screws and 2 actuation screws.

	Ref.	Barcode	Packing	Packing			Pallet quantity
				Nb	M <sup>3</sup>	Kg	
REFLET 360 White / Matt chrome	31 1984 10	3 24723 004210 4	Carton	10	0,072	12	-
REFLET 360 Black / Matt chrome	31 1981 10	3 24723 002359 2	Carton	10	0,072	12	-
REFLET 360 Natural green / Matt chrome	31 1982 10	3 24723 002358 5	Carton	10	0,072	12	-