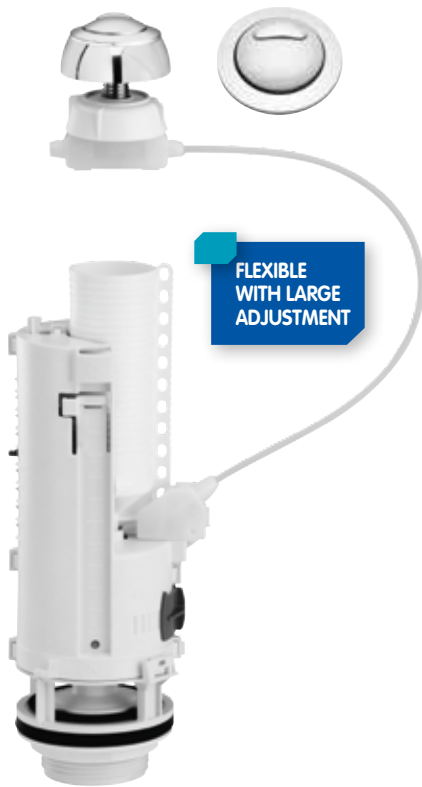


# > Dual flush with cable OPTIMA 50



## DESCRIPTION

- > Can be installed into plastic or ceramic cisterns
- > Push button: dual flush
- > Actuation effort below 20N
- > For lid holes ranging from 16 to 50mm, with or without collar depending on diameter
- > Cable operated: allows an actuation at distance, lateral or head-on position
- > Over flow can be cut in increments of 4mm
- > Adjustable small flush from 2l to 4.5l
- > Adjustable dead water level
- > High flush rate of 3.5l/s
- > Foam pan seal supplied for compensating pan irregularity



**RAISED BUTTON AVAILABLE**  
(see page 55 for more details)



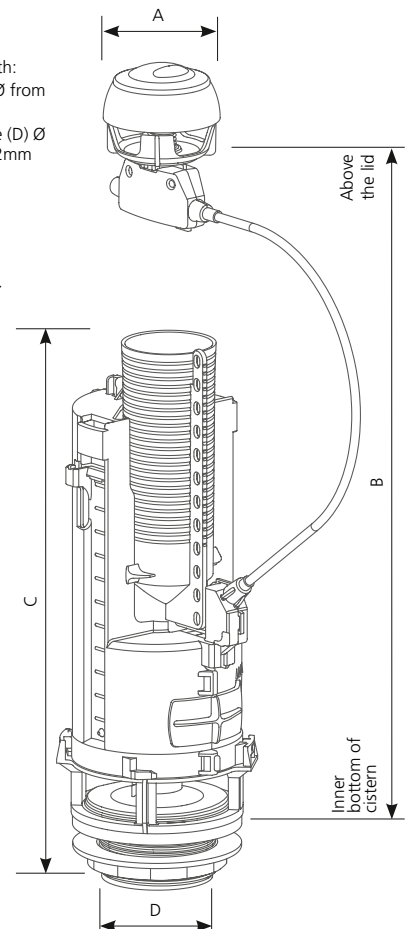
**Optima 50 flush valve available in a pack with the 99B inlet valve**



**Optima 50 flush valve available in a pack with the 99T BP inlet valve**

Compatible with:  
- Lid hole (A), Ø from 16 to 50mm  
- Drainage hole (D) Ø from 58 to 72mm

Adjustable height (B)  
- With collar: from 272 to 480mm (Lid hole (A) Ø 18 to 37mm and > than 44mm)  
- Without: from 287 to 480mm (Lid hole A, Ø 38 to 44mm)  
Adjustable overflow height: from 149 to 245mm (C)



## TEXT FOR TENDERS:

### OPTIMA 50 WRAS NF

Dual flush valve NF and WRAS certified, compact, water saving and cable operated. It allows an actuation at distance, lateral or head-on. Adjustable button with optional collar. Adjustable height from 272 and 482 mm, lid hole from 16 to 50, discharge hole from 58 to 72 mm. Adjustable : small flush, over flow, dead water level.

	Ref.	Barcode	Packing	Packing			Pallet quantity
				Nb	M <sup>3</sup>	Kg	
OPTIMA 50 Cable L495mm	32 5002 10	3 24723 007130 2	Box	14	0.08	7.6	210
OPTIMA 50/99B 1/2" plastic component pack	37 9980 07	3 24723 002373 8	Bag	16	0.08	13.2	240
OPTIMA 50/99T BP 1/2" brass deluxe component pack	37 9981 10	3 24723 007128 9	Box	9	0.08	8.75	135
Optima 50 Raised Button	34 5051 07	3 24723 004274 6	Bag	250	0.07	12.5	-