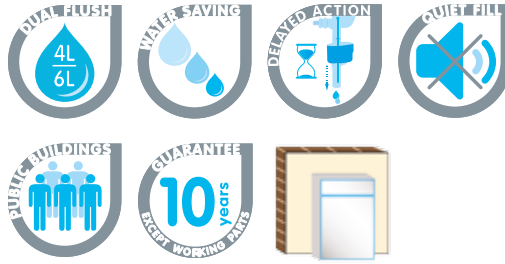


> Concealed cistern INTRA PNEUMATIC Bottom inlet



DESCRIPTION

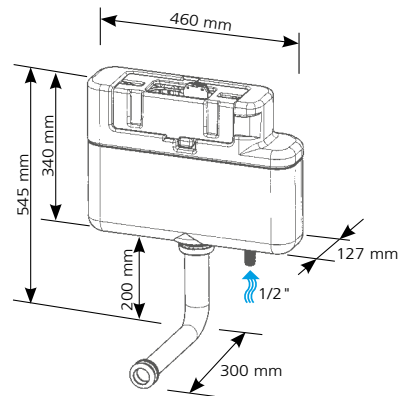
- For back to wall WC
- Recessed with an access cover inside wall or furniture
- Low level installation
- Wall or furniture fixing
- Remote pneumatic flushing
- Bright chrome dual flush flushing
- 2m air hose with corrugated pipe protection
- Cistern and lid made from HDPE
- 6 litres insulated cistern. Conforms to EN 14055 class 2 flushing standards
- Outer anti-condensation PSE insulation
- Dual flush pneumatic outlet valve, 6/4l. factory preset. WRAS and NF approved
- Quiet fill inlet valve
- Bottom inlet supply
- 1/2" plastic water inlet connection
- Height and depth adjustable supply pipe with pan seal
- Can be adapted for less able use

TEXT FOR TENDERS:

INTRA PNEUMATIC Bottom inlet Ref.: 31 0144 11

Concealed cistern for floor mounted, back to wall WC. WRAS and NF approved components, 10-year guarantee. Remote pneumatic flushing, bright chrome dual flush flushing. 6 litres insulated cistern equipped with a dual flush pneumatic outlet valve and a quiet fill inlet valve. Water inlet connection on the bottom of the cistern with 1/2" plastic tail. Dimensions height 340 mm, width 460 mm and depth 127 mm.

Complete delivery with fixing and connection accessories, flushing, air hose with corrugated pipe protection.



	Ref.	Barcode	Packing	Packing			Pallet quantity
				Nb	M ³	Kg	
INTRA PNEUMATIC Bottom inlet	31 0144 11	3 24723 003482 6	Carton	1	0,029	2,82	84

OPTIONS

Flushingp. 36



For more information:
Web: siamp.co.uk