

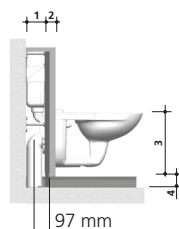
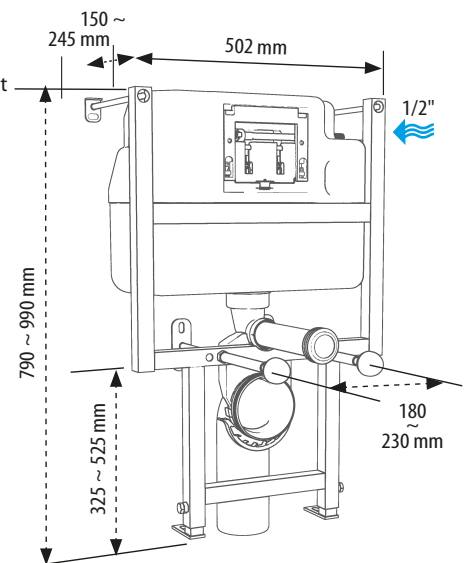
BCM 790 Wall Frame



- For installing a wall hung-standard, extended or compact WC
- Self-supporting wall frame for dry cladding bearing a 400kg load
- Designed for wall installation
- Low height wall frame solution for installation below windows, stairs etc.
- Steel tube structure, 30x30x1,5mm, electro-welded and anti-corrosion treated (epoxy paint withstanding 200 hours of salt spray), NF approved
- WC fixing using threaded rods (no need to cut them) and with possible adjustment after cladding completion
- Feet are made from epoxy painted steel plate (80x30x5mm) and electro-welded epoxy painted steel tubes (25x25x3mm), fixed to the floor
- Can be fixed to the wall using 2 fixing brackets
- 6 litre cistern insulated against condensation, from which components can be accessed through the flush plate window. Conforms to WRAS, EN 14055 Class 2 flushing standards, BREEM requirements and UK Building Regulations
- Dual flush outlet valve, 6/4 litres factory preset, adjustable to 4/2.6 litres on site, WRAS approved
- Water saving and quiet fill delayed action inlet valve
- Choice of mechanical dual flush or anti-vandal single flush front flush plates

Connections:

- Water inlet connection on the inside of the cistern with 1/2" brass isolating valve
- Supplied with 90° outlet bend, which can be easily fixed on the frame by simply clipping it
- Supplied with accessories for protection during the construction phase



- 1 = 150 ~ 245 mm
- 2 = 16 ~ 100 mm
- 4 = 0 ~ 185 mm
- if 3 = 400 => 4 = 185 mm max*
- if 3 = 480 => 4 = 105 mm max*

*When the distance between the WC fixing axle and the WC seat is 75 mm.