



SIAMP

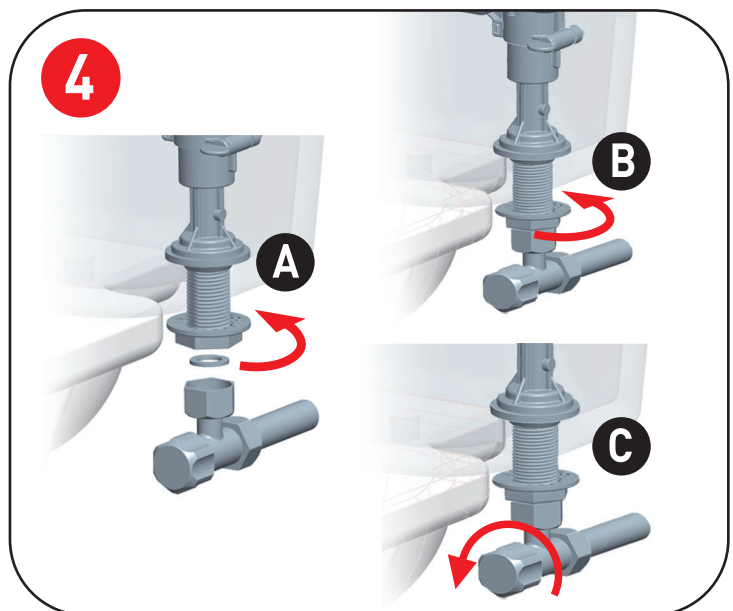
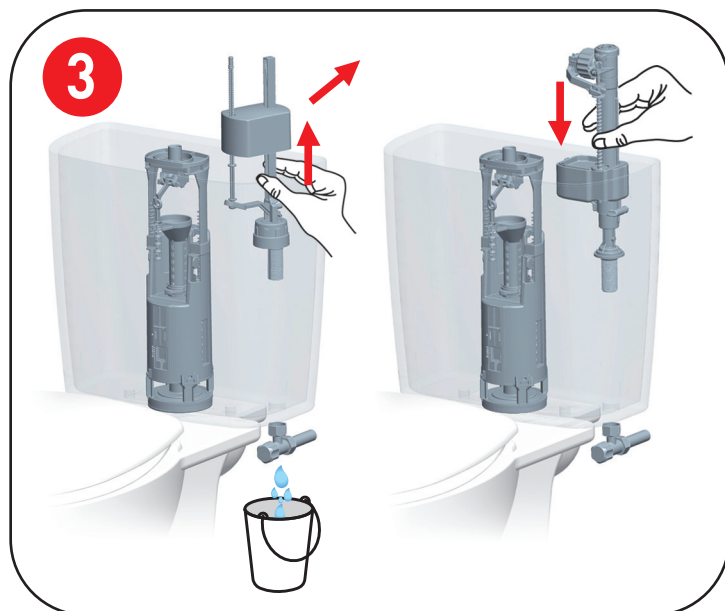
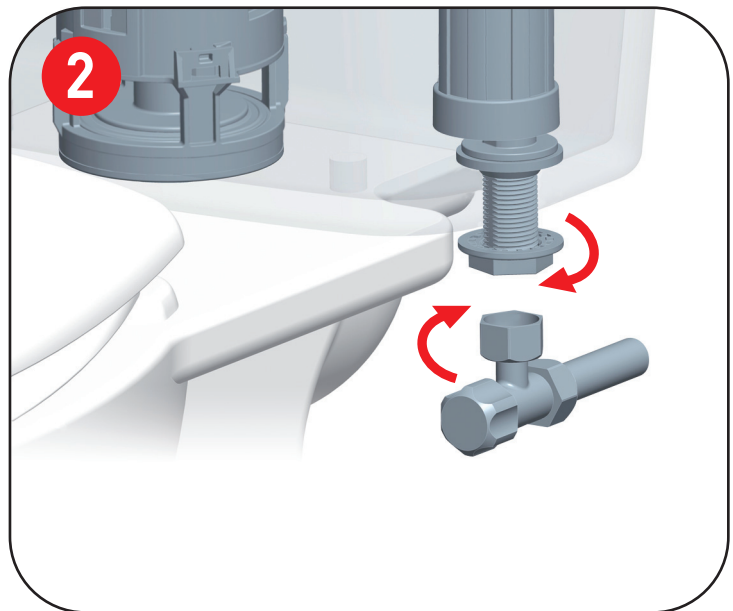
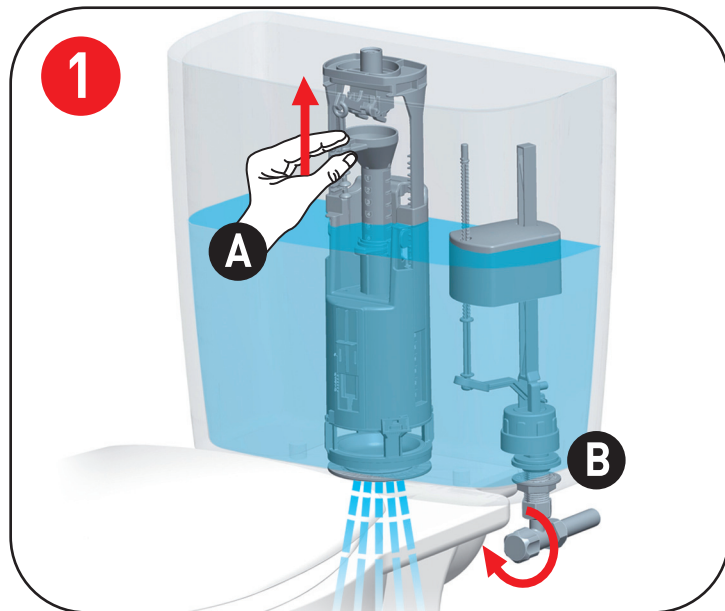
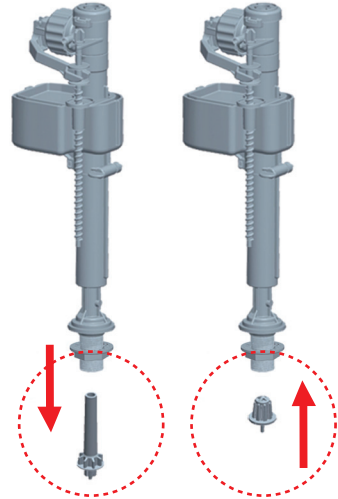
Monaco

990D

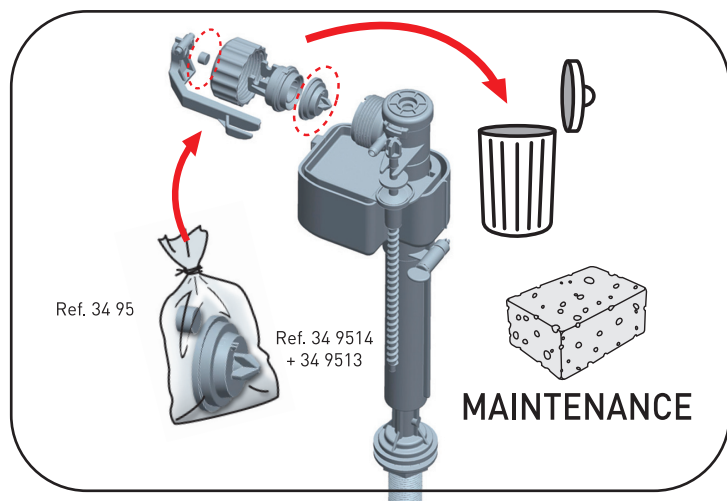
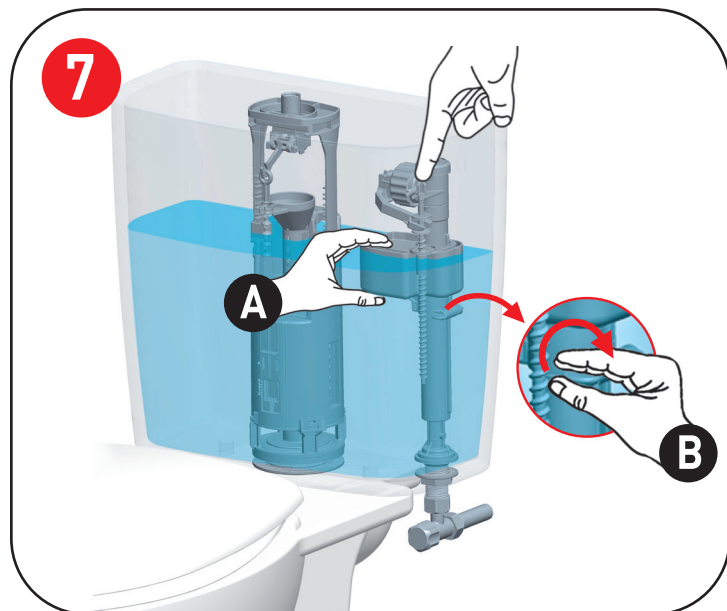
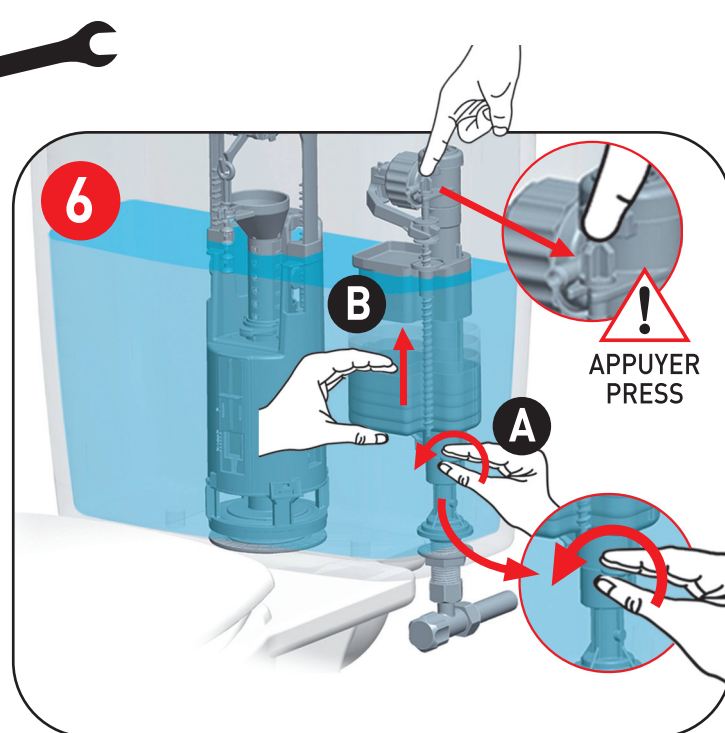
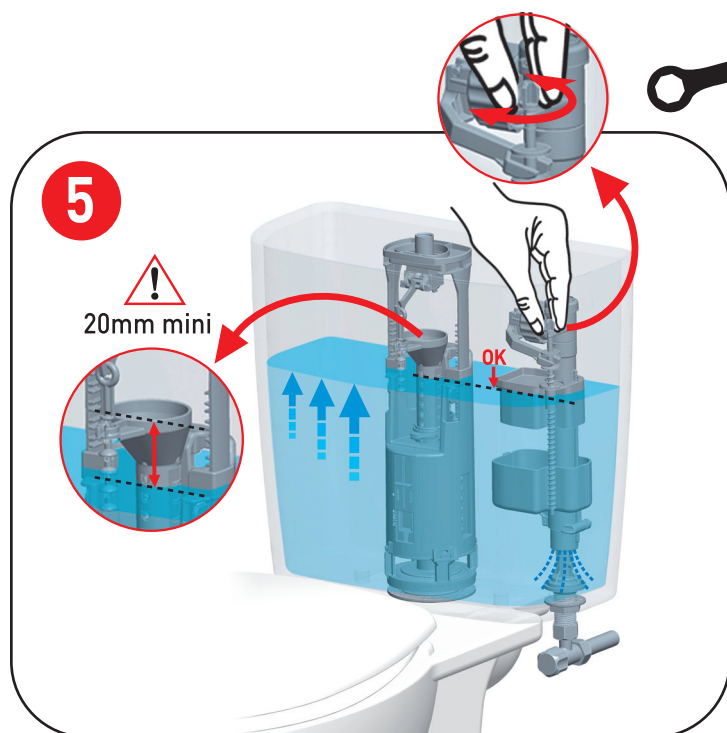
Pression > 1B → OK



Pression < 1B



990D



SIAMP

Monaco

www.siamp.com