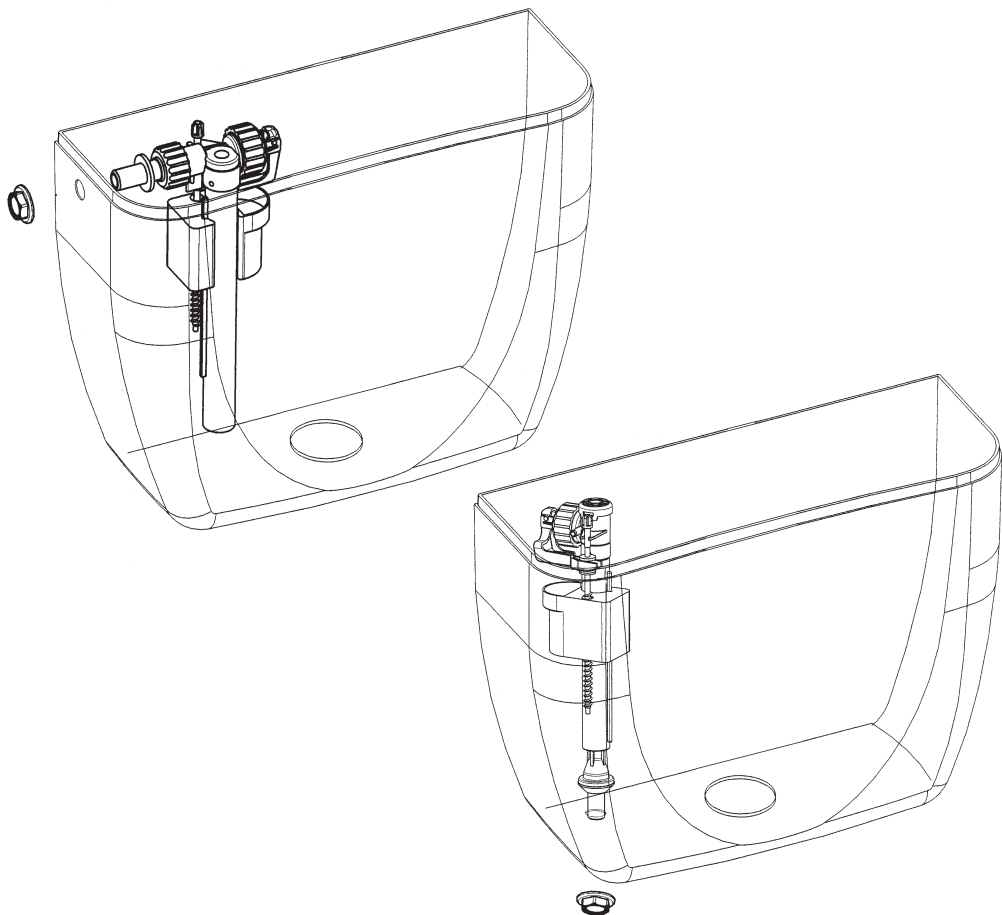


SIAMP

GB

Monaco

INLET VALVES



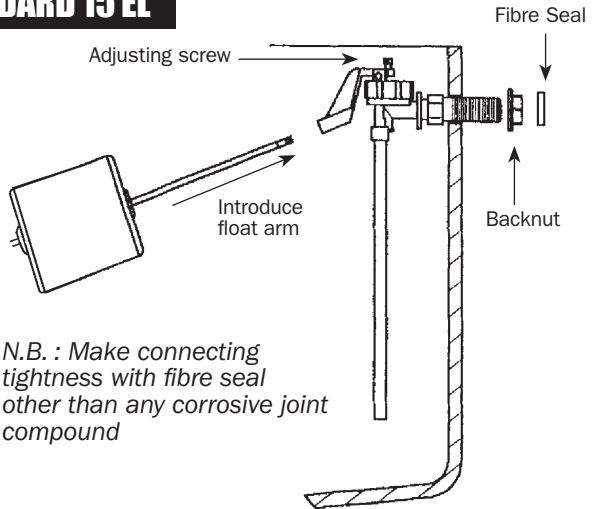
4, quai Antoine 1^{er} / BP 219 / MC 98007 MONACO Cedex
Tél. 00 377 93 15 53 75 / Fax : 00 377 92 05 71 04 / E-mail: contact@siamp.com

Siamp UK Ltd / Unit C2 / Meadowbank Business Park
Tweedale Way / Hollinwood / Oldham / Greater Manchester / OL9 8EH
Telephone : 0161 681 2120 / Fax : 0161 681 2130 / aftersales@siamp.co.uk

On 99B and 95L inlets, an approved single check valve or some other no less effective backflow prevention device shall be fitted at the point of connection(s) between the supply and the fitting.

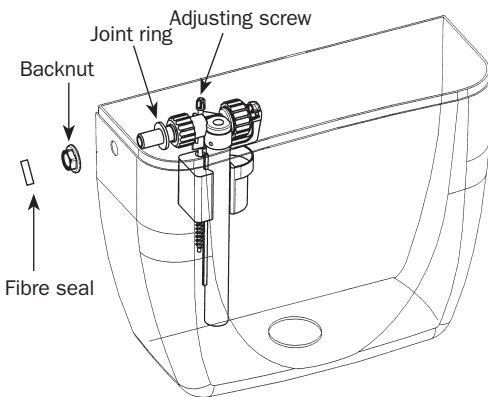
ROBECO 06 and STANDARD 15 EL

- 1 Place inlet valve through inlet hole
- 2 Secure with backnut
- 3 Connect the supply
- 4 Adjust water level with adjusting screw.



N.B. : Make connecting tightness with fibre seal other than any corrosive joint compound

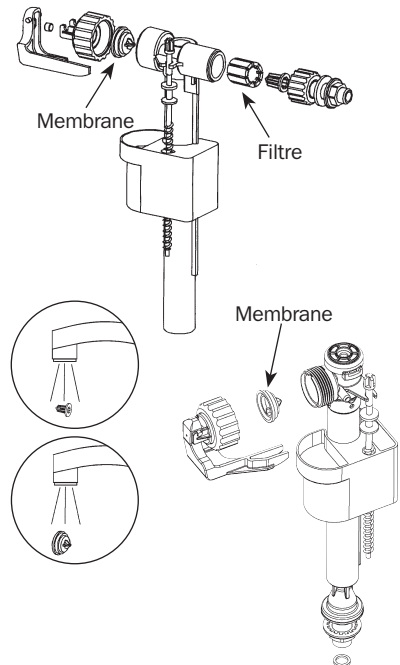
COMPACT 95L/93L



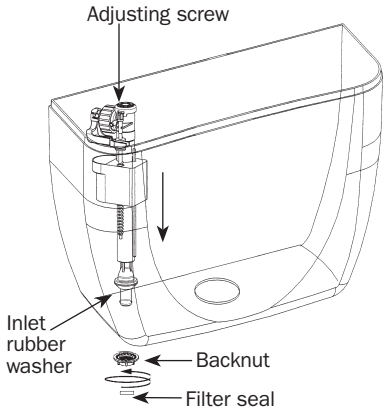
- 1 Place inlet valve through inlet hole
- 2 Secure with backnut
- 3 Connect the supply
- 4 Adjust water level with grey adjusting screw.

N.B. : Make connecting tightness with fibre seal other than any corrosive joint compound

MAINTENANCE



COMPACT 99B



- 1 Place inlet valve through inlet hole with inlet rubber washer inside the cistern
- 2 Secure with backnut
- 3 Connect the supply
- 4 Adjust water level with grey adjusting screw.

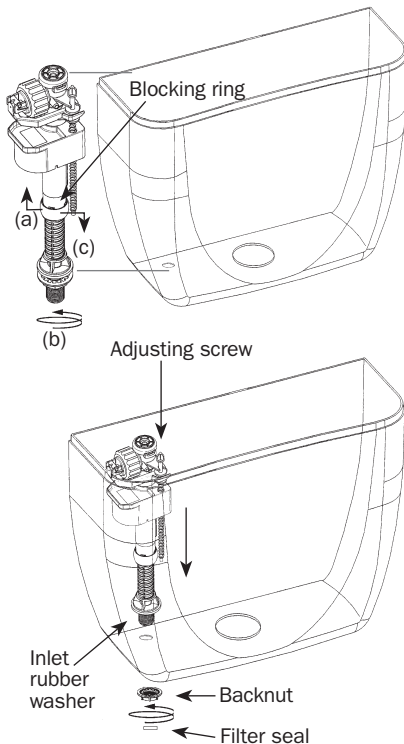
N.B. Ensure tightness of connection to cistern with filter gasket.

WARNINGS:

- 1 - Do not overtight in any case.
- 2 - Do not use any sealing paste and/or compound in any case

SIAMP will be not responsible in case these warnings are not respected.

COMPACT 99B with telescopic tube



- 1 Adjust telescopic tube
 - (a) raise the grey blocking ring
 - (b) screw or unscrew the graduated tube in way so that the inlet top not exceed the top of the tank
 - (c) position back the grey ring
- 2 Place inlet valve through inlet hole with inlet rubber washer inside the cistern
- 3 Secure with backnut
- 4 Connect the supply
- 5 Adjust water level with grey adjusting screw.

N.B. Ensure tightness of connection to cistern with filter gasket.

WARNINGS:

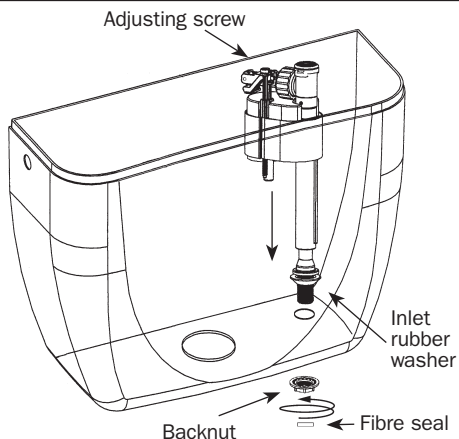
- 1 - Do not overtight in any case.
- 2 - Do not use any sealing paste and/or compound in any case

SIAMP will be not responsible in case these warnings are not respected.

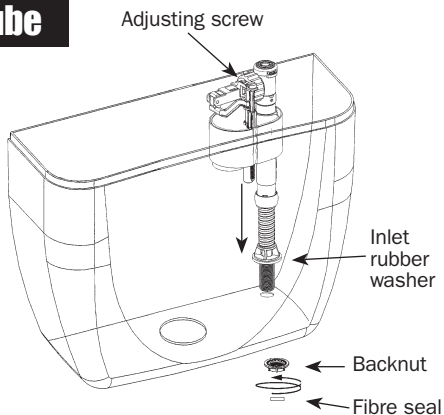
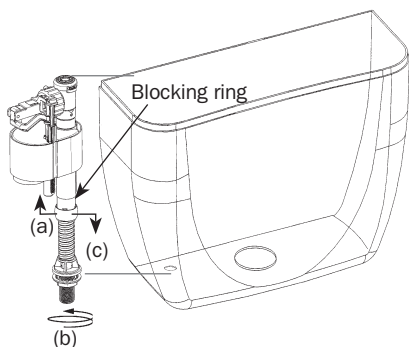
HANDY 93B

- 1 Place inlet valve through inlet hole with inlet rubber washer inside the cistern
- 2 Secure with backnut
- 3 Connect the supply
- 4 Adjust water level with grey adjusting screw.

N.B. : Make connecting tightness with fibre seal other than any corrosive joint compound



HANDY 93B with telescopic tube



- 1 Adjust telescopic tube (a) raise the grey blocking ring, (b) screw or unscrew the graduated tube in way so that the inlet top not exceed the top of the tank, (c) position back the grey ring
- 2 Place inlet valve through inlet hole with inlet rubber washer inside the cistern
- 3 Secure with backnut
- 4 Connect the supply
- 5 Adjust water level with grey adjusting screw.

N.B. : Make connecting tightness with fibre seal other than any corrosive joint compound

For all inlet valves : manually screw the backnut until it is in contact with the ceramic. If necessary give an extra quarter turn (maximum).

N.B.: Excessive tightening can damage the valve and would not be covered by the guarantee. Ensure tightness of connection to cistern with filter gasket.

SIAMP will be not responsible in case these warnings are not respected.

N.B.: In the tank, do not use any anti limescale products or chlorine based products which could damage the mechanism and would not be covered by the guarantee.